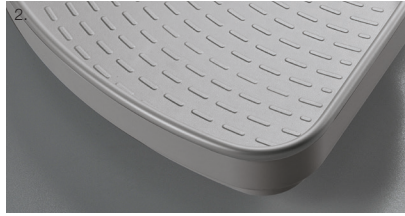
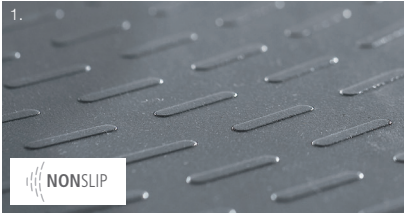


PowerSlide®



Aesthetics to match a sophisticated movement

PowerSlide is something special in the corner – the easy to use, robust and slick mechanism is combined with custom options for trays that offer large storage capacity. The pro(arc tray offers various colour and trim options.



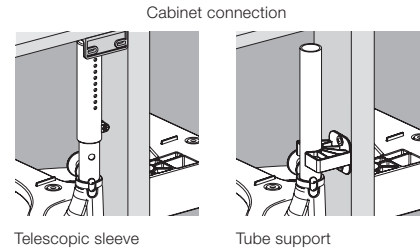
1. Optionally with integrated non-slip foil
2. Aluminium grey tray with edge profile

PowerSlide fitting

- One fitting for all door widths, trays can be operated individually
- Adapts to left- or right-hand opening corner cabinets, easy and quick assembly
- Solid aluminium fitting, allowing perfect sliding of the trays
- Trays can easily be assembled and disassembled

Finishes

- Fitting: Silver, Dark grey

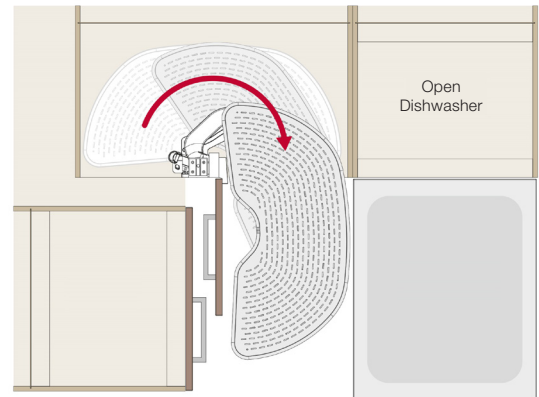
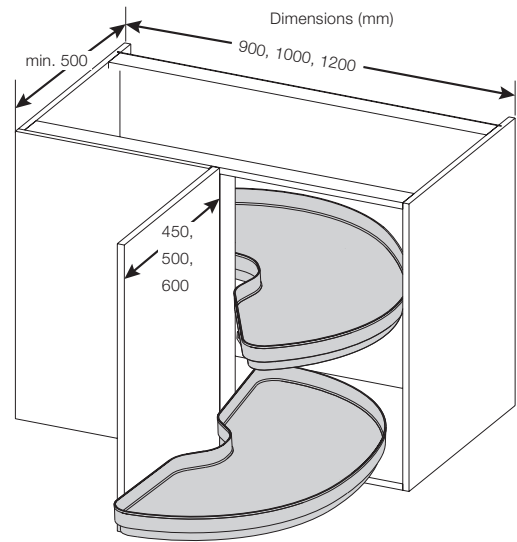


pro(arc tray system

- Classic, timeless design with individualization possibilities
- Non-slip foil to prevent the stocked items from sliding around
- Hidden construction ribs provide high stiffness and solidity
- Design family with aKIS and modul under oven plinth drawer

Finishes

- Trays: Aluminium grey, Dark grey
- Edge design: Without profile, Edge profile, Chrome rail
- Non-slip foil: Without, Metallic, Dark grey



Part list for pull-out trays (incl. PowerSlide fitting)

Ref. No.	Description	Cabinet width	Door width	Version	
9531.XX XXXXX	Trays	900 mm	450 mm	Left-handed	
9532.XX XXXXX	Trays	900 mm	450 mm	Right-handed	
9533.XX XXXXX	Trays	1000 mm	500 mm	Left-handed	
9534.XX XXXXX	Trays	1000 mm	500 mm	Right-handed	
9535.XX XXXXX	Trays	1200 mm	600 mm	Left-handed	
9536.XX XXXXX	Trays	1200 mm	600 mm	Right-handed	